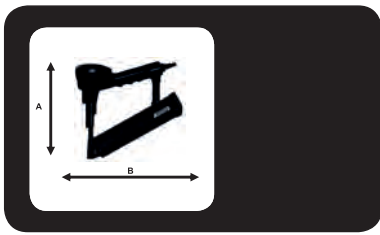




**Paslode**<sup>®</sup>

**PSN50NP**





# PSN50NP

		<b>A = 254 mm</b> <b>B = 277 mm</b> <b>C = 112 mm</b>

<p>Min. 5 bar Max. 8 bar</p>	<p>3,31l (7 bar )/</p>
<p>Ps max. = 8 bar</p>	

<p>EN 12549+EN ISO 4871 EN12096 : 1997</p>	<p>L WA.1s = 100,9 dBA</p> <p>L pA.1s = dBA</p> <p>L pA.1s1m = 87,9 dBA</p>
	<p>Vibration = 4,5 m/s<sup>2</sup></p>

<p>20 x</p>	<p>Diameter d = 4,3-4,6 mm Length L = 40-50 mm Angle A = 34°</p>
-------------	--

## Paslode 34° Strip Nails





Model: PSN50NP

No. 505688



Diameter d = 4.3 - 4.6 mm  
Length L = 40 and 50 mm  
Angle A = 34°



No. 014748 + No. 505928

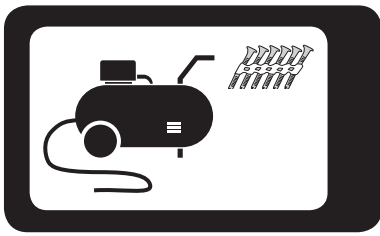
No. 014121

### Accessories

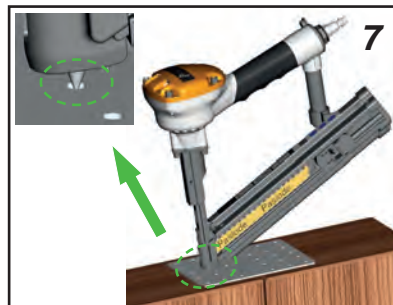
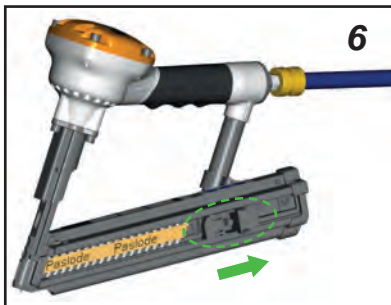
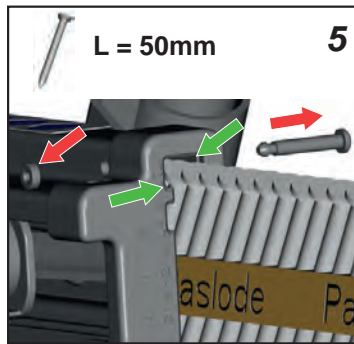
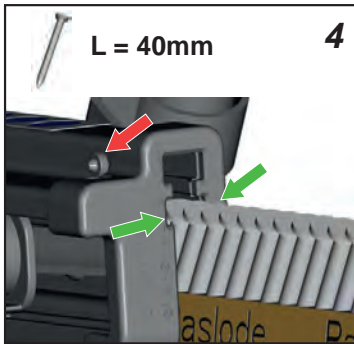
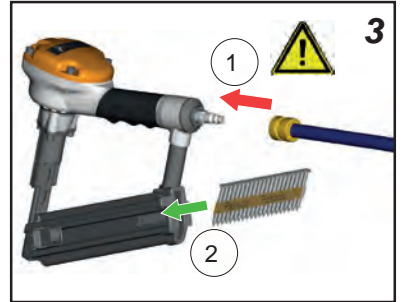
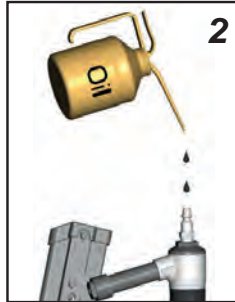
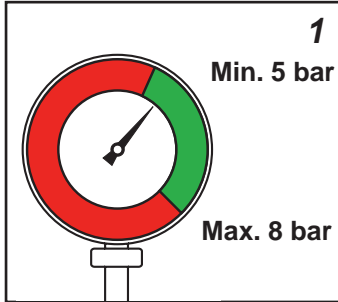


No. 151299 / No. 576216

0,5 l oil / 1 l oil

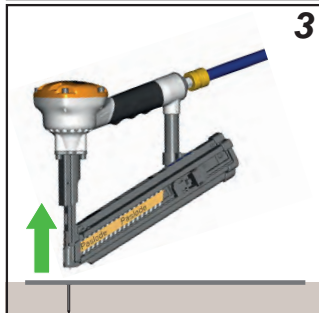
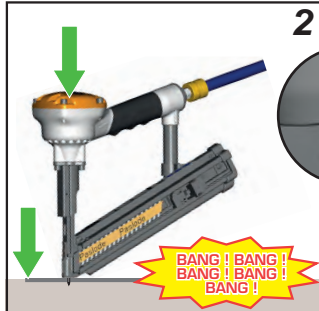


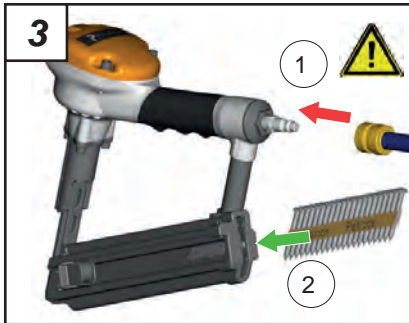
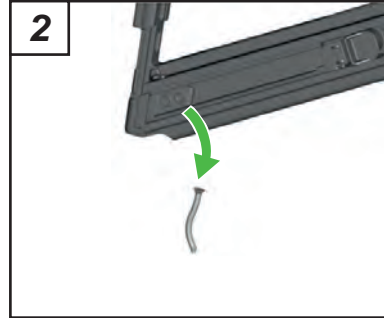
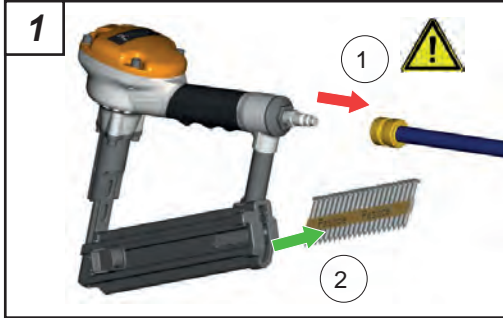
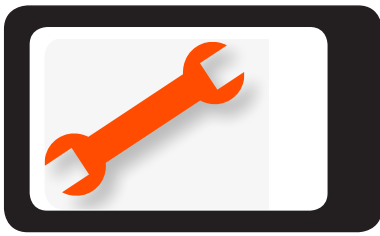
014 748





014 748







YY/WW....

YY= Year of manufacture  
WW = Week of manufacture

**Resting position/ Ruheposition/ Position de repos/ Ruststand/  
Posición de descanso/ Posizione di riposo/ Posição de des-  
canso/ Pozycja spoczynku/ Klidová poloha/ Nyugalmi állapot/  
Положение в нерабочем состоянии/ Θέση αδράνειας/ Hviles-  
tilling/ Viloläge/ Hvileposisjon/ Lepoasento/ Položaj mirovanja/  
Pokojová poloha/ Položaj mirovanja/ وضع السكون / Ramybės  
padėtis/ Ooteasend/ Miera stāvoklis/ Hvíldarstaða**



# NOTES :





ITW CONSTRUCTION PRODUCTS EUROPE  
Code 505928 (05/2019)  
[www.spitpaslode.com](http://www.spitpaslode.com)